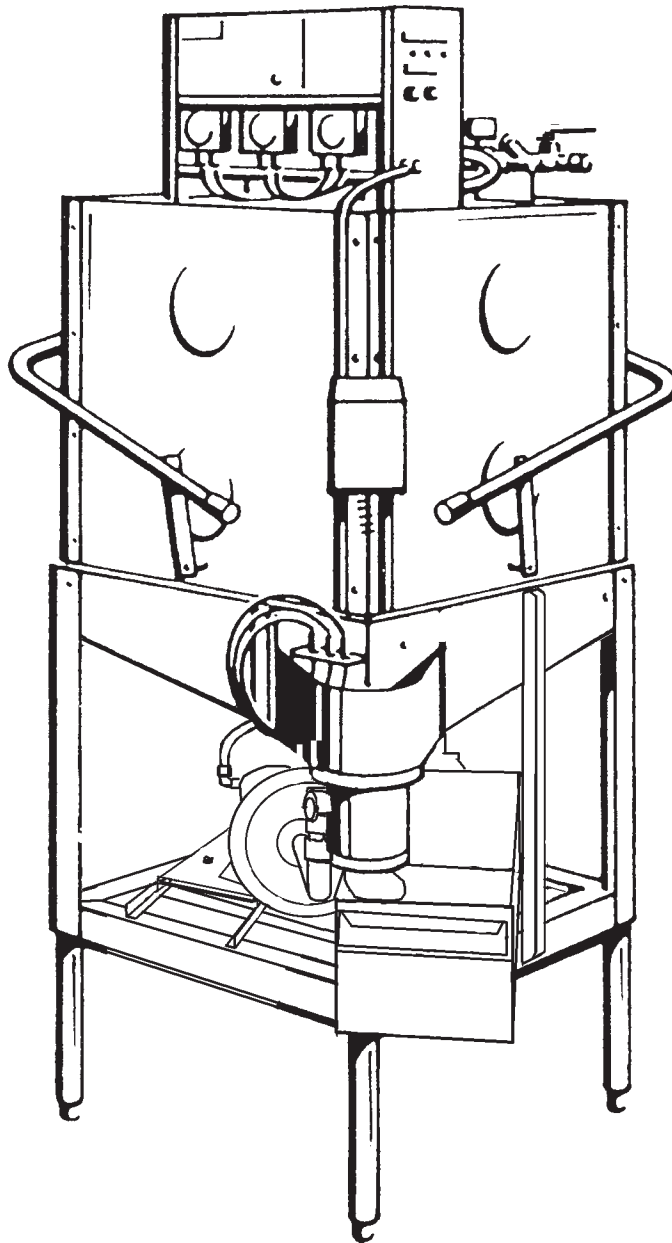


EFFECTIVE: April, 2014

American Dish Service

ADS CONVERTIBLE DISHWASHER

MODELS: AF3DS / AFC3DS



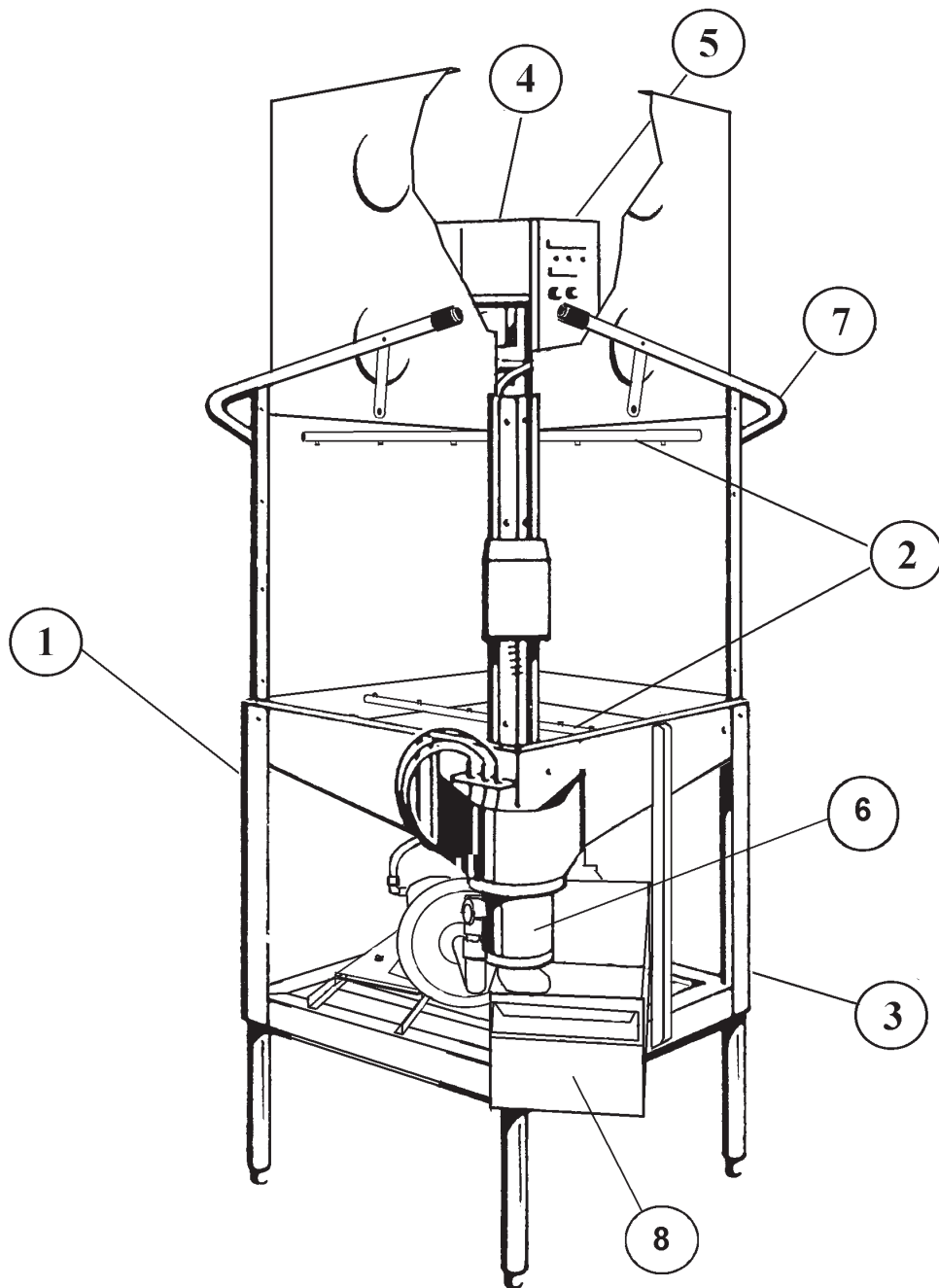
PARTS MANUAL

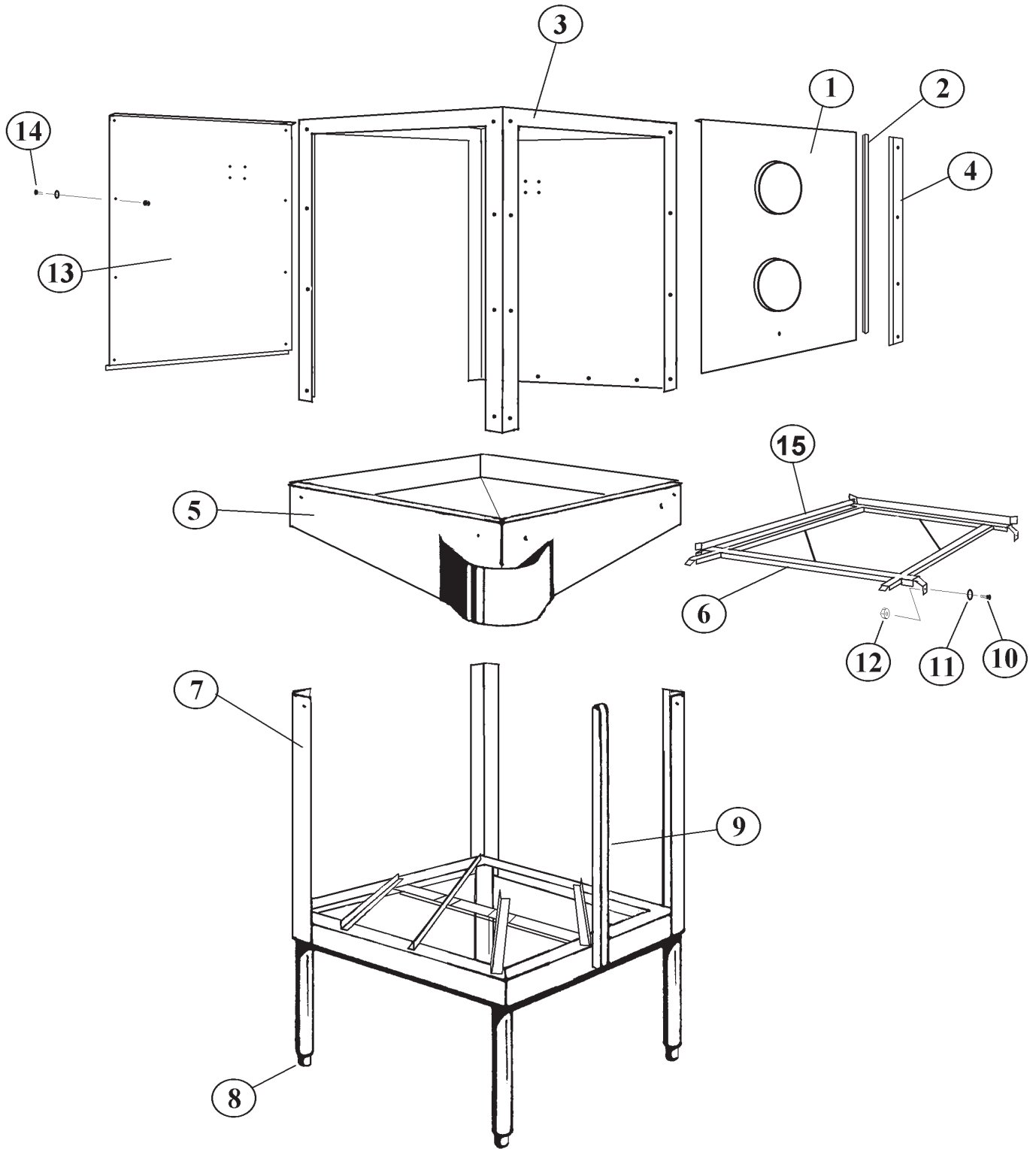
900 Blake Street
Edwardsville, Kansas 66111
(913)422-3700

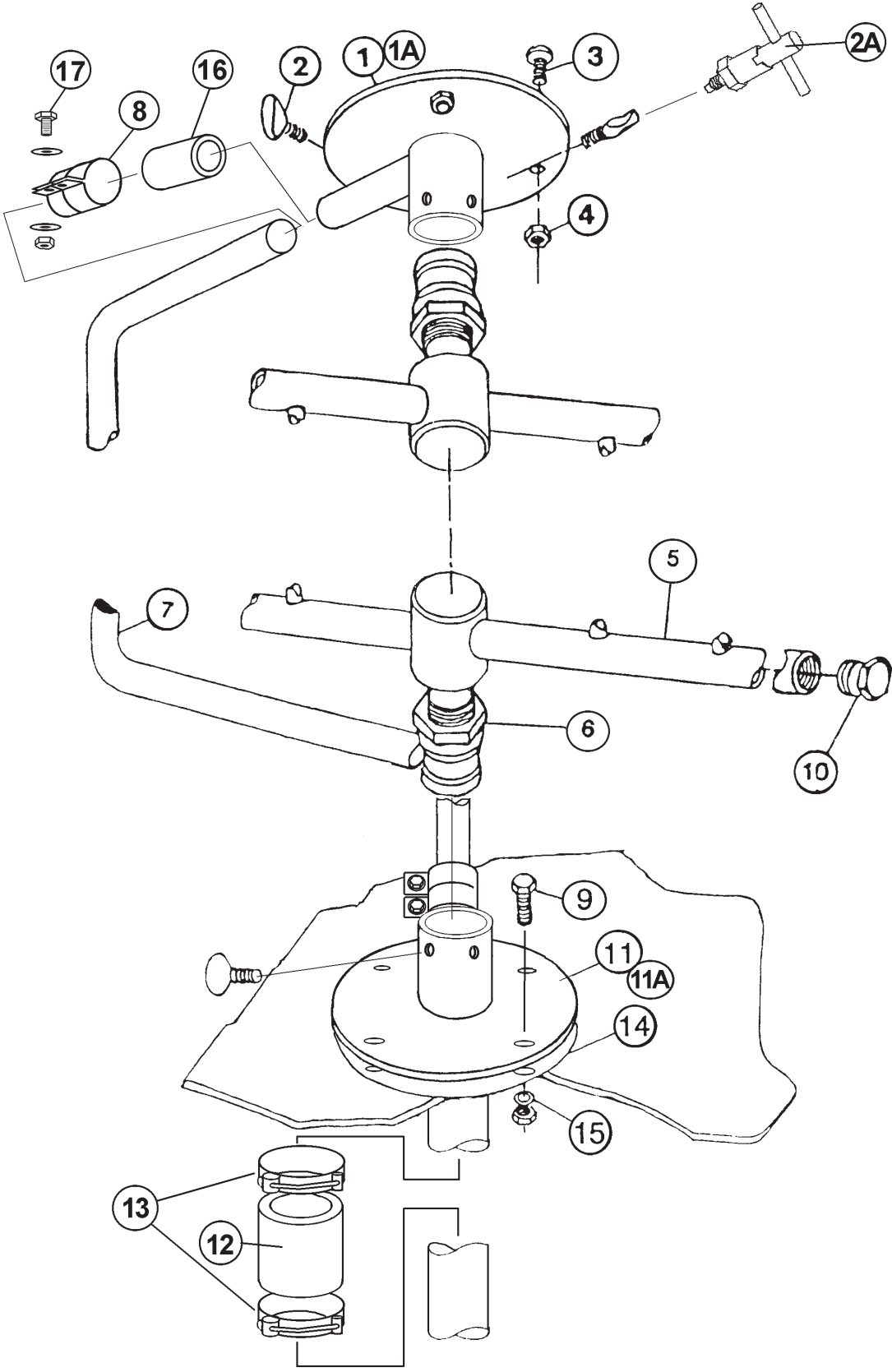
026-0090 / 027-0090

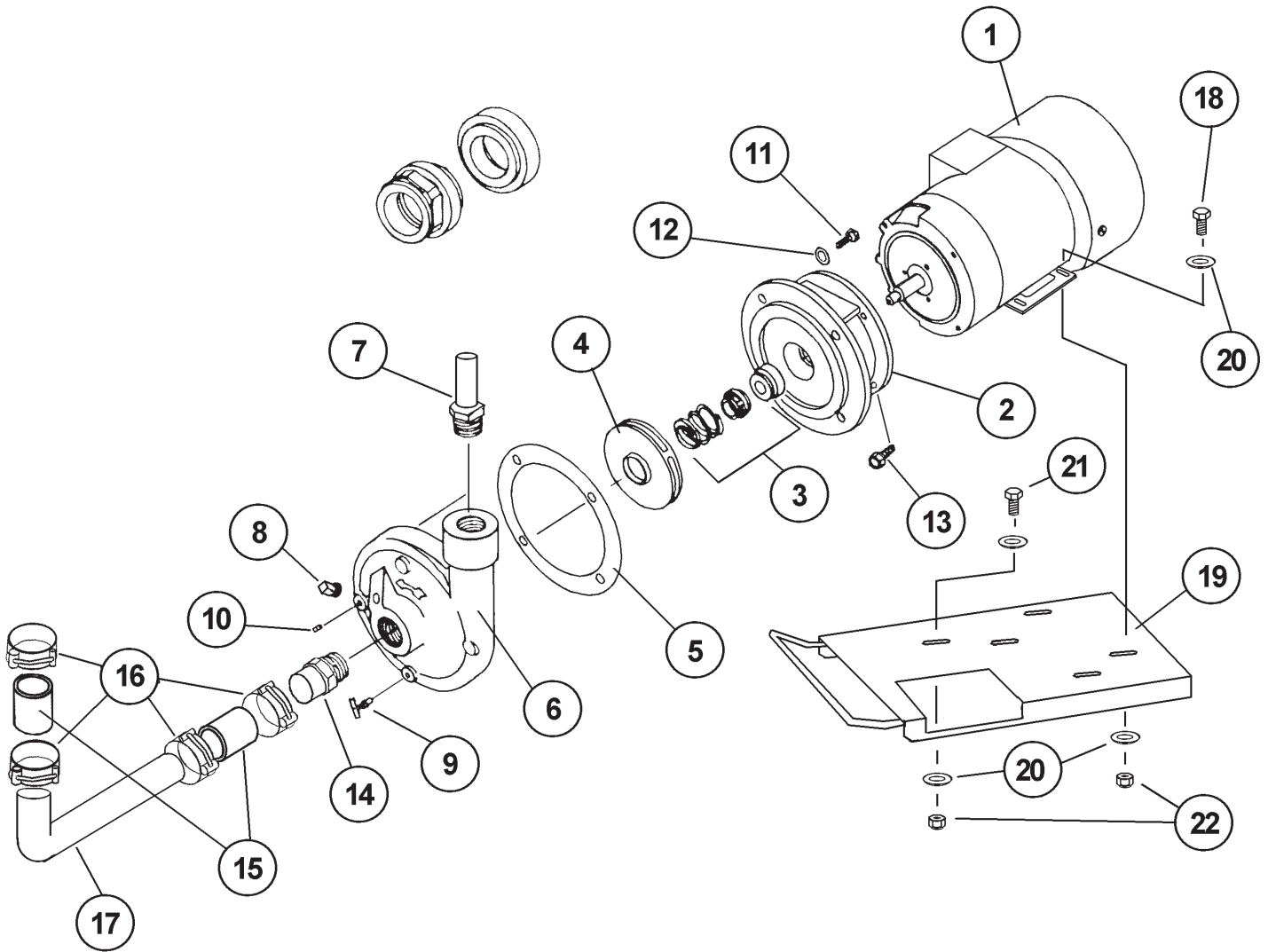
Models:
AF3D-S / AFC3D-S

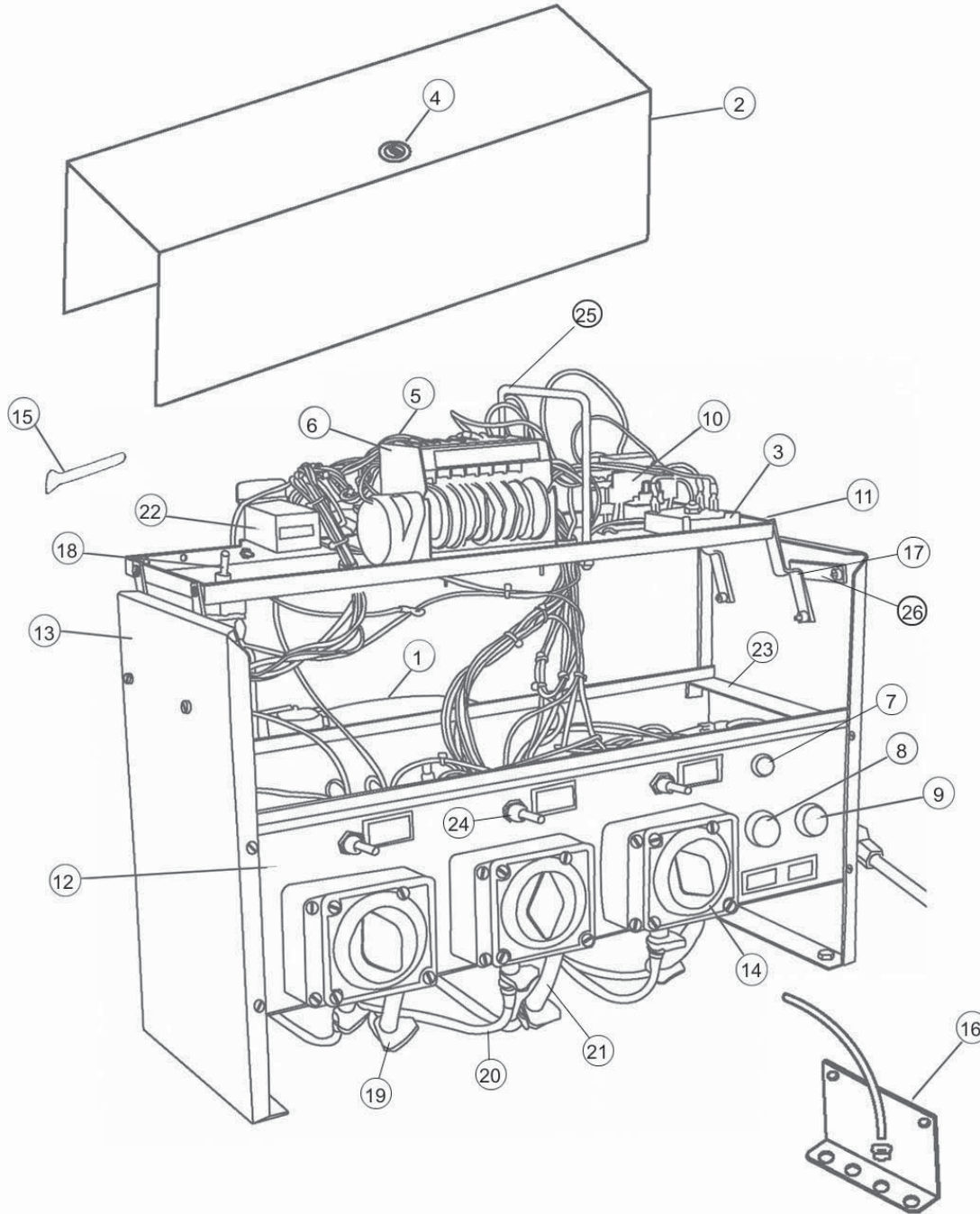
American Dish Service









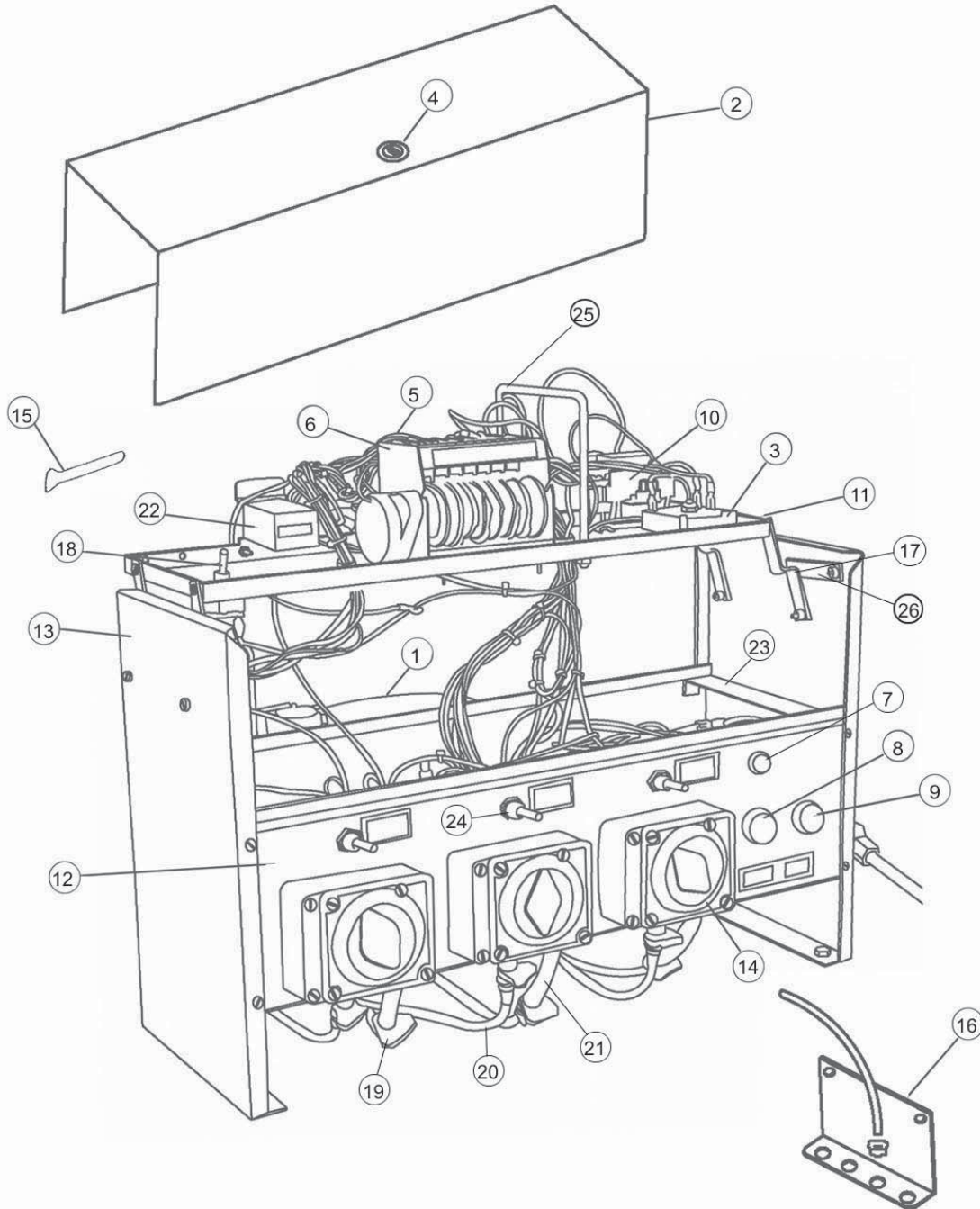


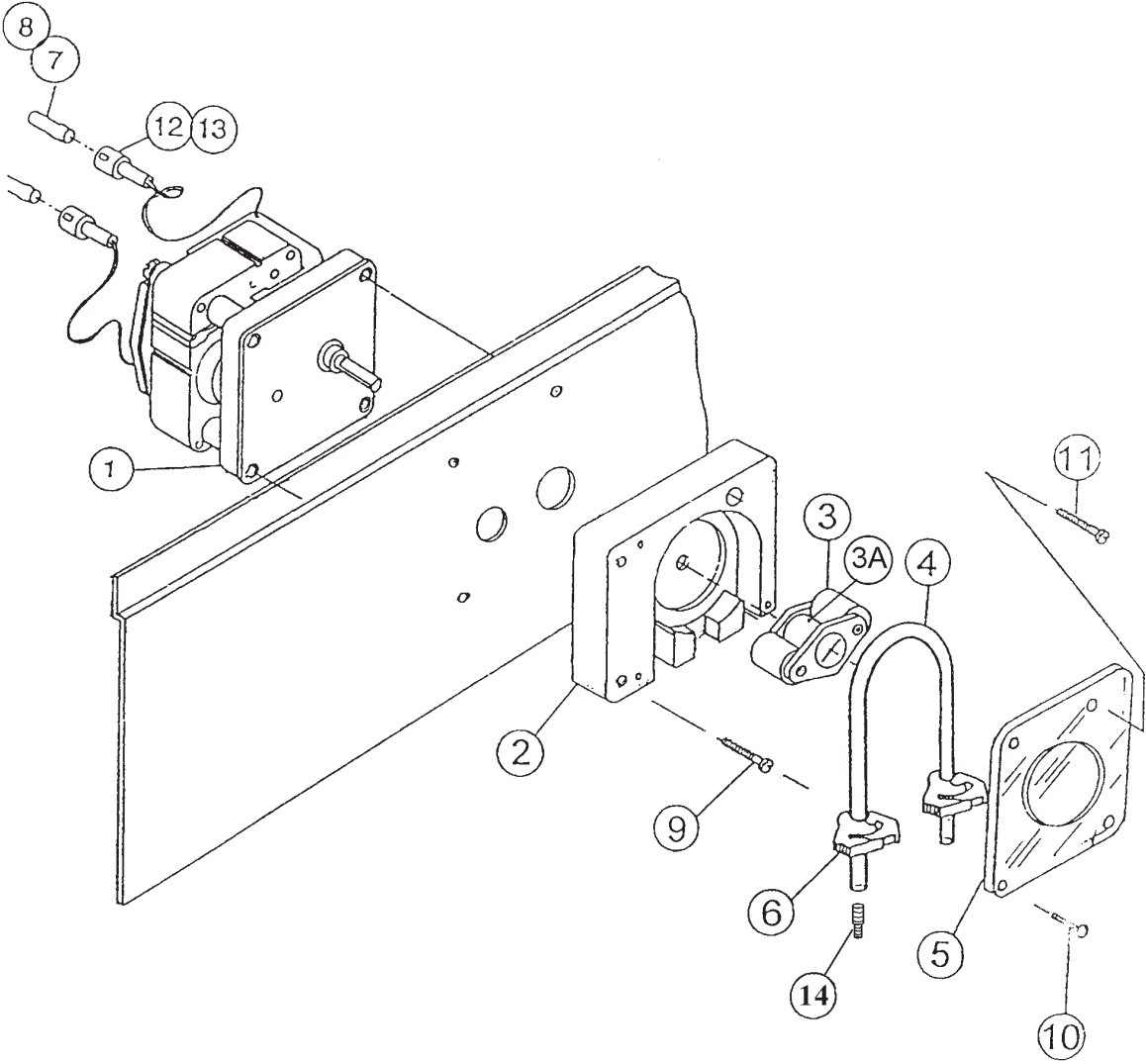
064-2600

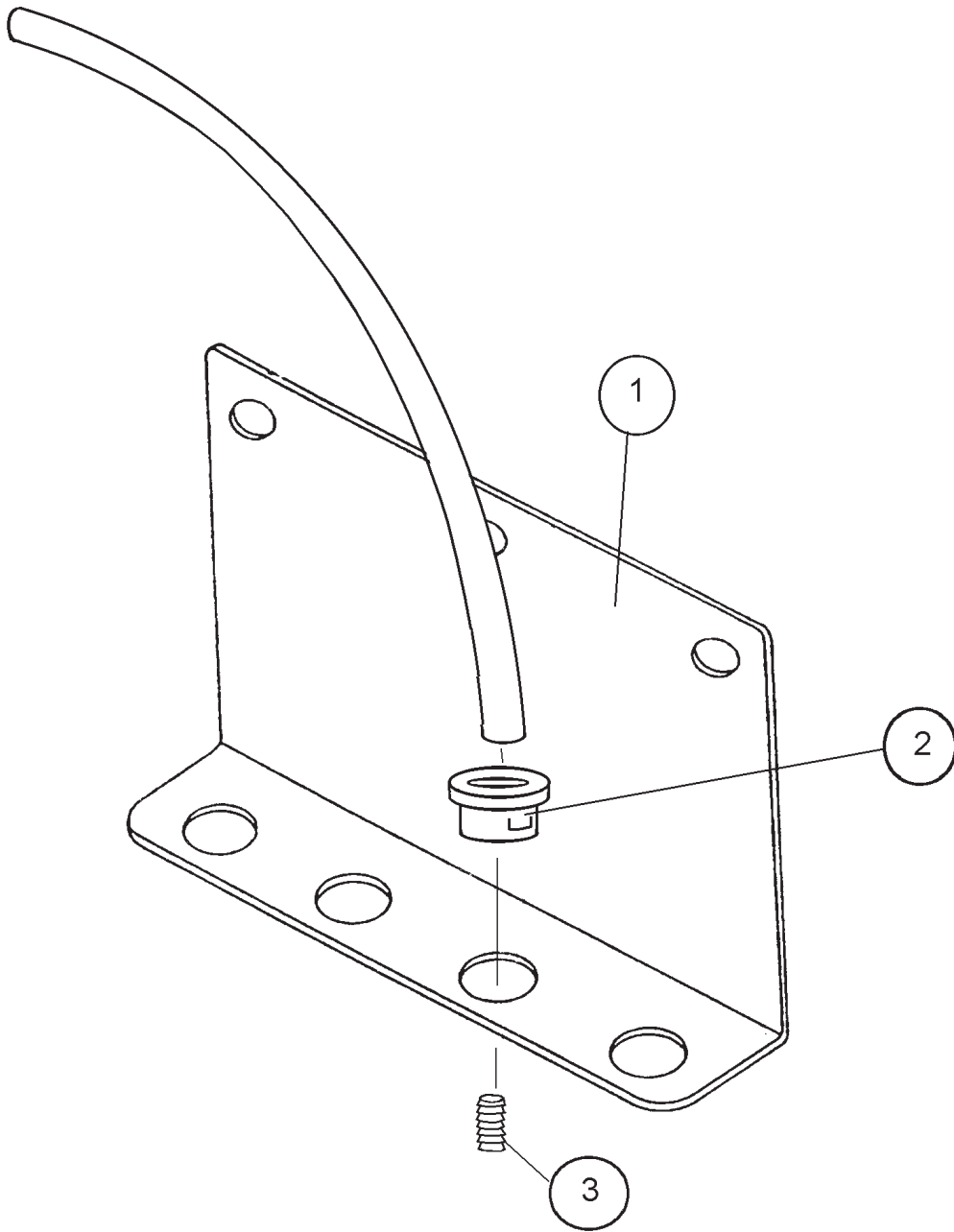
Control System Assembly
AF3D-S / AFC3D-S

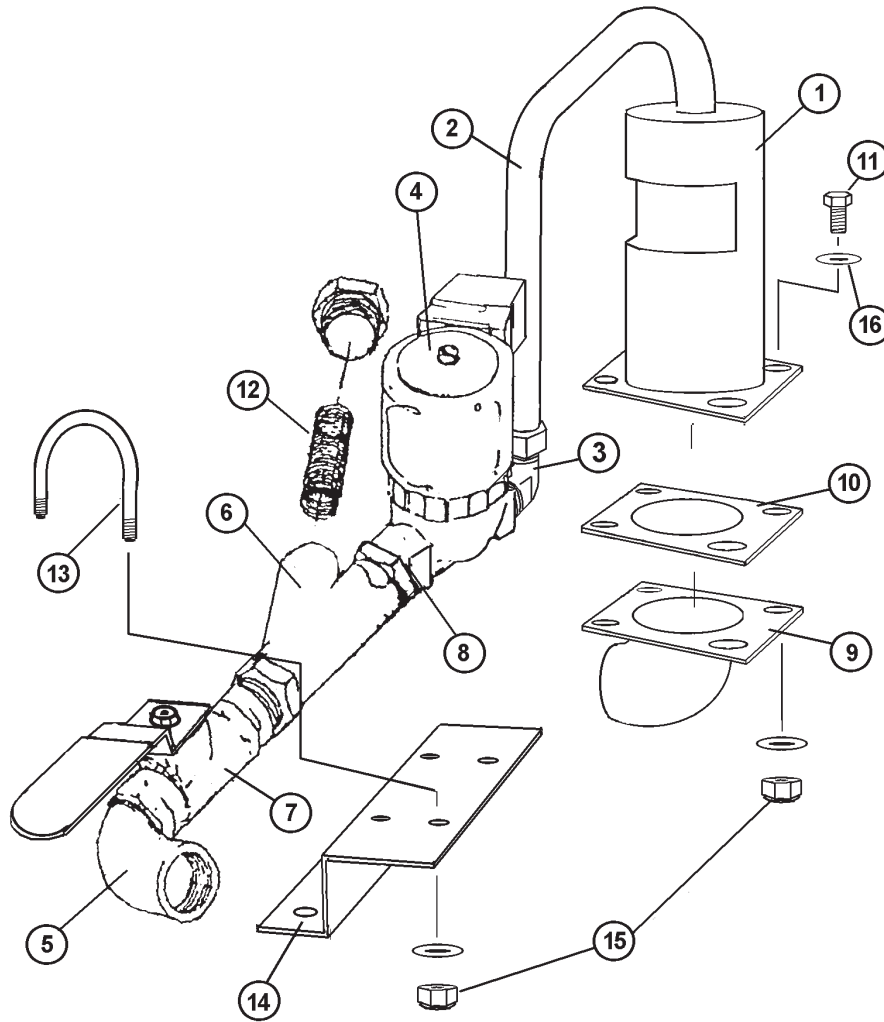
American Dish Service

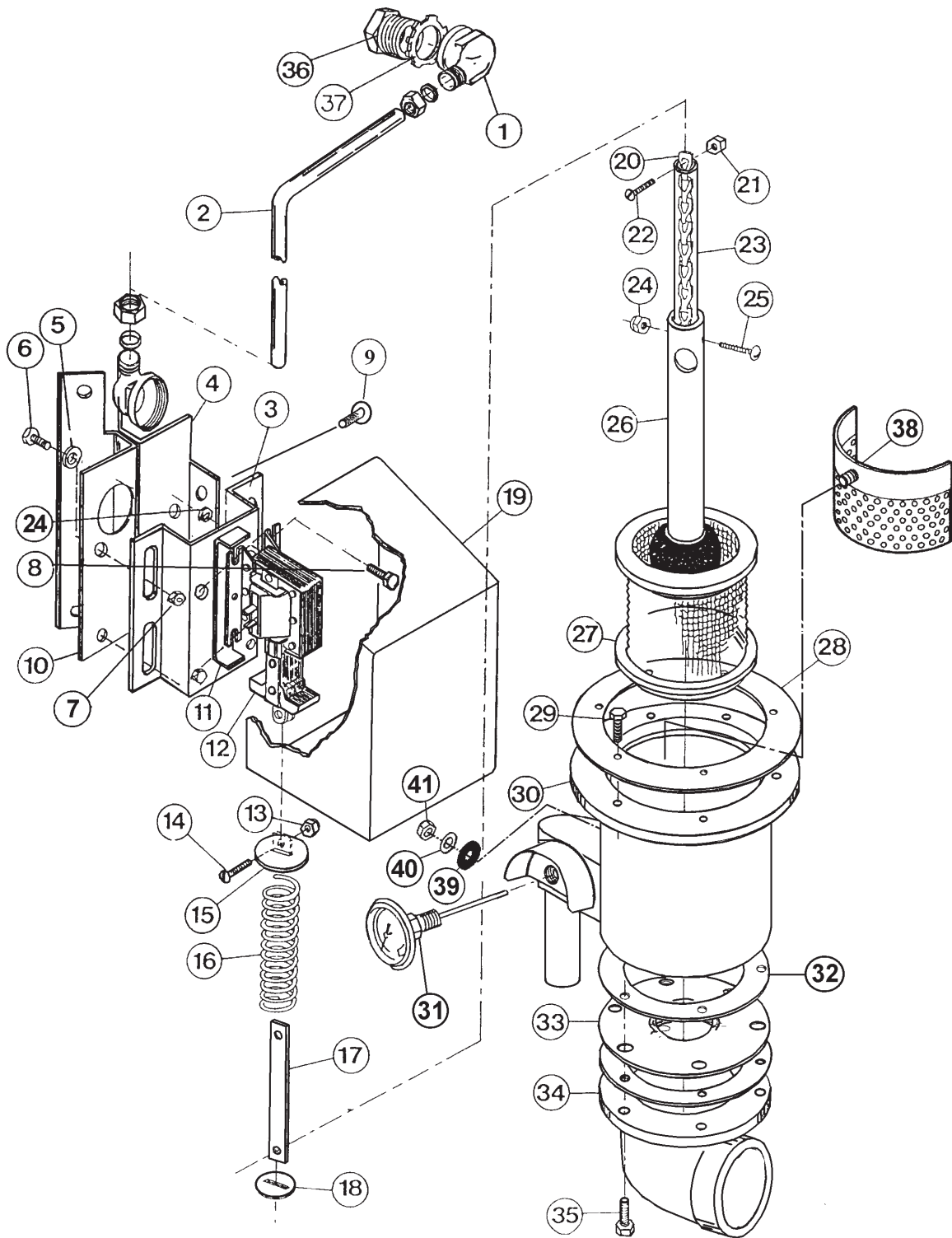
Ref. No.	Part No.	No. Req.	Description
1	091-5156	1	Conduit, ½" (Sold by the Foot)
2	087-6433	1	Control Box Cover
3	091-3003	1	Instant Start Relay (Not Included in Auto-Start Machines)
4	096-1002	1	Control Box Lock
5	091-5022	1	Wire Harness
6	091-3051	1	Timer, 90 Second, 7 Cam
Opt.	091-3078	Opt.	Timer, 150 Second, 8 Cam
7	091-7006	1	Red Indicator Light
8	091-3002	1	Push-Button Switch, Red Start
9	091-3001	1	Push-Button Switch, Black Fill
10	091-3083	1	Contacto
11	087-6435	1	Upper Shelf, Control Box
12	087-6425	1	Pump Panel, Control Box
13	081-6422	1	Control Box Assembly
14	064-0010	3	Chemical Pump Assembly (Peristaltic)
15	099-1004	1	Timer Adjustment Key
16	064-0026	1	Chemical Feeder Assembly
17	086-6678	4	Control Box Hinge
18	091-3060	1	Switch, Service
19	098-1606	3	Tube Clamp
20	093-1044		Tubing, Chemical Line, ¼" Blue (By the Foot)
20	093-1045		Tubing, Chemical Line, ¼" Green (By the Foot)
20	093-1046		Tubing, Chemical Line, ¼" Red (By the Foot)
21	087-6700	3	Tube Stiffener
22	091-3049	1	Counter, Electric
23	086-6535	2	Shelf Support Bracket
24	091-3009	4	Switch, SPST Momentary
25	086-6317	1	Shelf Handle
26	086-6676	1	Safety Latch
N/S	089-9201	1	Decal, Wiring Diagram
N/S	089-9204	1	Decal, Clean Instruction, Outside Sump









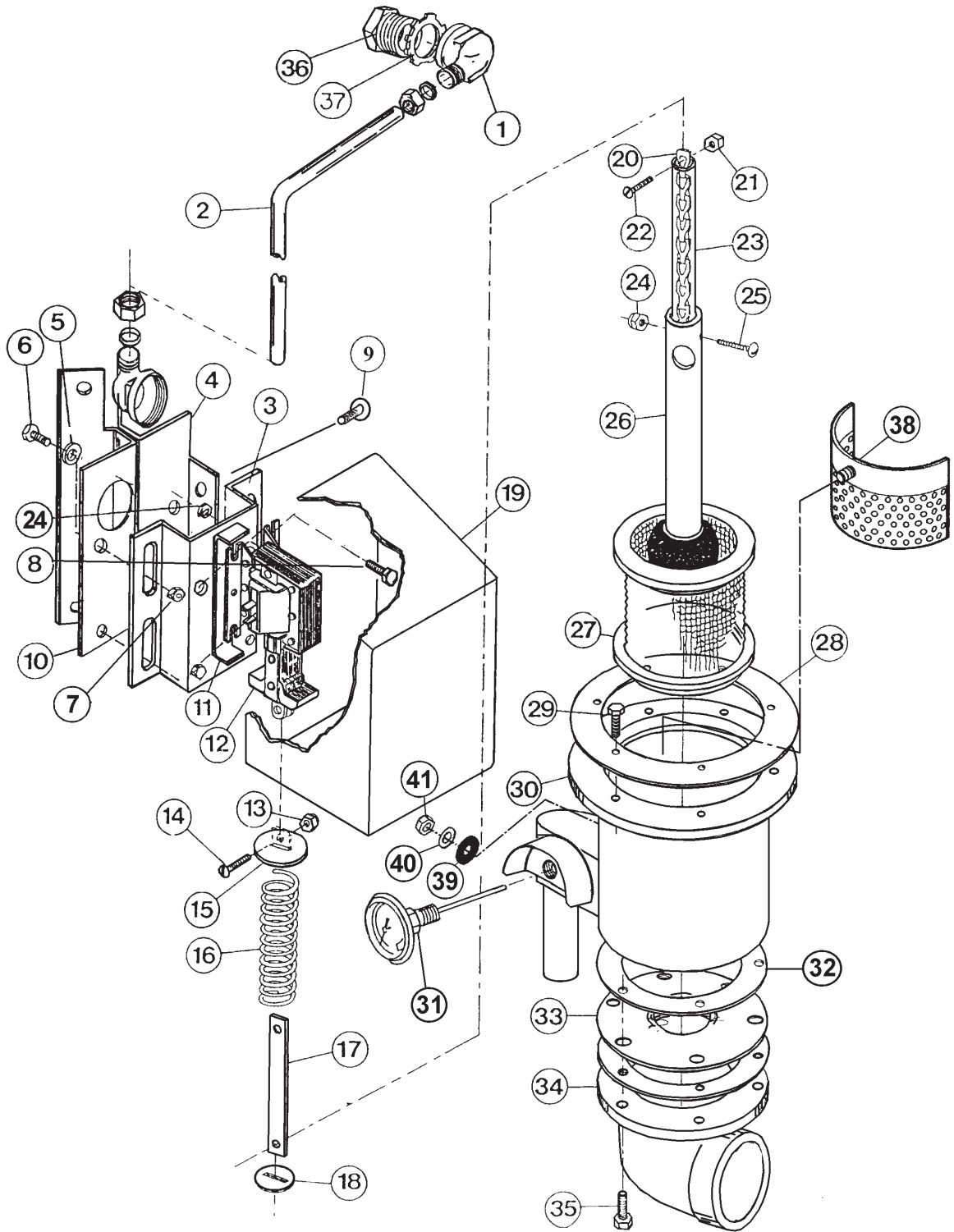


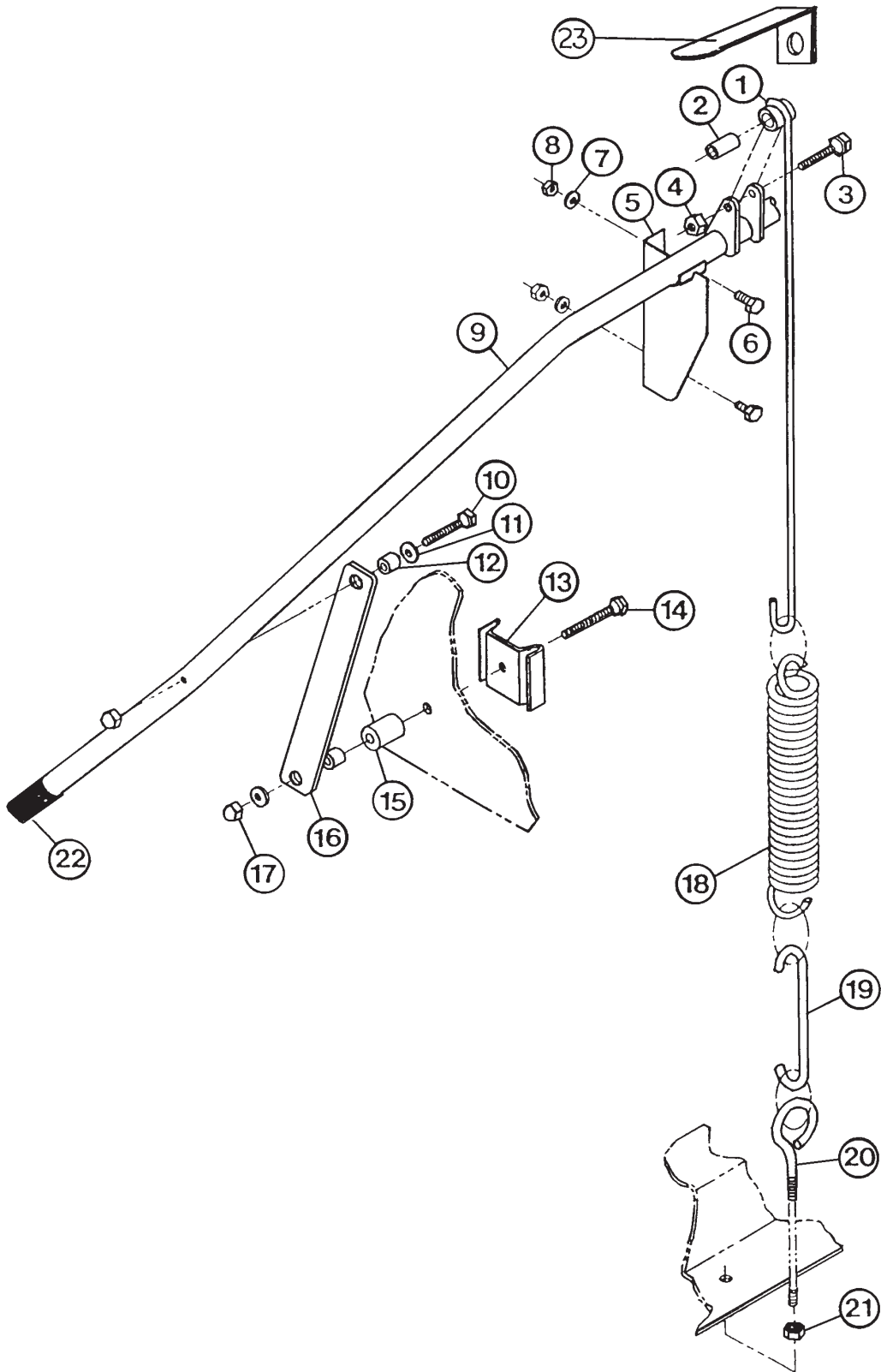
066-1300

Drain System Assembly
AF3D-S / AFC3D-S

American Dish Service

Ref. No.	Part No.	No. Req.	Description
1	092-1030	2	Conduit Fitting, ¼", 90 °
2	086-6646	1	Conduit, 3/8" Dia. X 19"
3	086-6622	1	Solenoid Base, 3D Series
4	086-6645	1	Mounting Bracket, Right
5	098-2404	10	Washer, ¼", SS
6	098-1423	4	Bolt, HH, SS, ¼-20 x ½"
7	098-2507	4	Locknut, SS, ¼-20
8	098-1306	4	Bolt, HH, SS, 10-32 x ½"
9	098-1413	2	Bolt, ¼-20 x 3/8", TH, SS
10	086-6644	1	Mounting Bracket, Left
11	086-6604	1	Solenoid Stop
12	091-2001	1	Solenoid
13	098-2201	1	Locknut, 8-32, SS
14	098-1205	1	Screw, RH, SS, 8-32 x 5/8"
15	086-6607	1	1-1/16 Slotted Washer (Large)
16	098-3001	1	Spring
17	086-6605	1	Link
18	086-6606	1	1-5/16 Slotted Washer (Small)
19	085-6612	1	Solenoid Cover
20	089-6610	1	Chain, Make From 098-9001
21	098-2201	1	Locknut, 8-32, SS
22	098-1205	1	Screw, RH, SS, 8-32 x 5/8"
23	084-6622	1	Chain Cover, Make From 093-1012
24	098-2301	5	Locknut, SS, 10-32
25	098-1311	1	Screw, RH, SS, 10-32 x 1 3/8"
26	081-6601	1	Drain Plug Assembly
Rep	084-6608	0	Drain Tube (Replacement Part)
Rep	083-6601	0	Drain Ball (Replacement Part), 1 ½"
27	085-6602	1	Sump Screen
28	089-6601	1	Sump Gasket
29	098-1423	6	Bolt, HH, SS, ¼-20 x ½"
30	085-6204	1	Sump Assembly With Tail Piece
31	099-1001	1	Temperature Gauge
32	089-6602	2	Drain Elbow Gasket

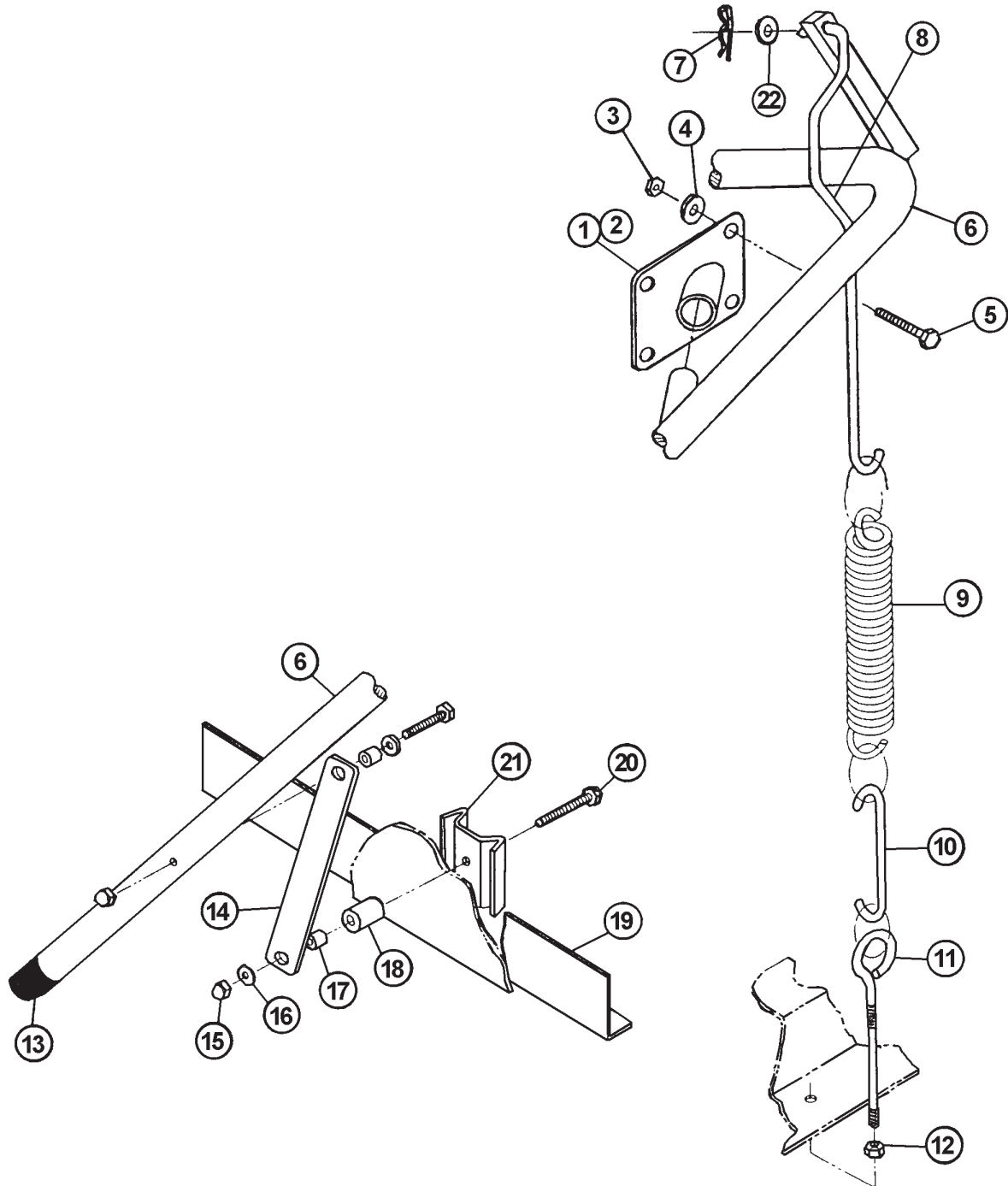




067-1000
Lever Arm Assembly
AF3D-S

American Dish Service

Ref. No.	Part No.	No. Req.	Description
1	085-6701	2	Spring Extension Weldment
2	098-4002	2	Bushing, Bronze
3	098-1514	2	Bolt, 5/16-18 x 1 1/2", HH SS
4	098-2505	2	Cap Nut, SS, 5/16-18
5	085-6703	1	Arm Support Bracket Weldment, Left
	085-6707	1	Arm Support Bracket Weldment, Right
6	098-1423	4	Bolt, 1/4-20 x 1/2, HH, SS
7	098-2404	4	Washer, 1/4, SS
8	098-2507	4	Locknut, 1/4-20, SS
9	085-6726	1	Door Operating Arm Weldment (Lever Arm)AF-3DS
10	098-1431	2	Bolt, 1/4-20 x 1 3/8, HH, SS
11	098-2404	6	Washer, 1/4, SS
12	084-6703	4	Bushing (Dowel 3/8)
13	086-6701	2	Door Stop
14	098-1432	2	Bolt, 1/4-20 x 1/34, HH, SS
15	084-6702	2	Spacer
16	086-6702	2	Door Link
17	098-2405	4	Cap Locknut, 1/4-20, SS
18	098-3003	2	Door Spring
19	086-6737	2	Spring Extension, Secondary
20	098-1581	2	Eye Bolt, 5/16-18 x 6"
21	098-2502	2	Nut, HH, SS, 5/16-18
22	099-1018	2	Lever Arm End Cap
23	086-6623	1	Lever Arm Cut-Off Bracket, "L"
N/S	098-2503	2	Washer, Copper, 5/16"
N/S	088-1061	Opt.	Kit, Lever Arm Conversion, Straight to Corner



American Dish Service

*Manufacturer of low and high temperature
Commercial Dishwashers and Glasswashers*

900 Blake Street
Edwardsville, Kansas 66111
Ph:(913) 422-3700
Fax:(913) 422-6630